

Installation manual

CF3-W-EU, CF3-W-EU-Disp

CO₂ transmitter



CF3-W-EU



CF3-W-EU - Disp

General

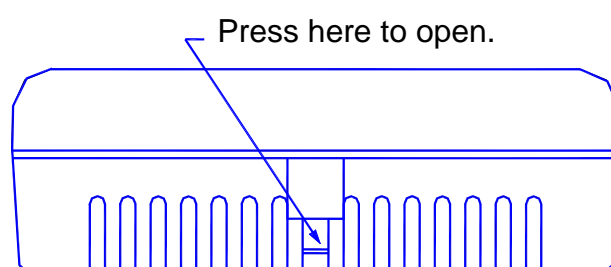
The IAQ-sensor product *CF3-W-EU* (sensor for wall mounting) is designed to measure carbon dioxide (CO₂) in rooms. Option - TR is prepared for temperature measurements by the resistive temperature probe mounted by the user. The temperature probe is potential free (floating). Option - Disp displays the measured CO₂ value in ppm (parts-per-million) on the LCD.

The units are designed for connecting to Direct Digital Control (DDC) with 0-10V or 2-10V signal inputs. The two parallel signal outputs OUT1 (0-10V) and OUT2 (2-10V or 4-20 mA) give linear signal voltages or currents corresponding to the measuring range.

The output OUT2 also indicates the *status* by setting the output voltage to 1V or the output current to 2 mA when the sensor self-diagnostics detects any error.

To open the wall mounted housing

Figure 1. Closed housing seen from above. The housing is opened by pressing a screw driver on the locking hook. The locking hook is then released.



Electrical connections

The power supply has to be connected to \sim \oplus and \perp . \perp is considered as system ground. The same ground reference has to be used for the CF3-W-EU unit and for the DDC/signal receiver.



PLEASE NOTE!

The same ground reference has to be used for the CF3-W-EU unit and for the control system!

Terminal	Function	Electrical data	Remarks Standard settings	Remarks Settings of this sensor
\sim \oplus	Power (+)	24 VAC/DC+ (+20%), 2W		
\perp	Power ground (-)	24 VAC/DC-	System voltage reference	
Out(1)	Analogue output 1 (+)	0-10 VDC	0-2000 ppm CO ₂	
Out(2)	Analogue output 2 (+)	2,0-10,0 VDC or 4,0-20,0 mA 0,9-1,6 VDC or 1.5-2,5 mA 0 VDC or 0mA	0-2000 ppm CO ₂ Status = ERROR Status = NOT READY	

Table I. Connections of the main terminal of CF3-W-EU

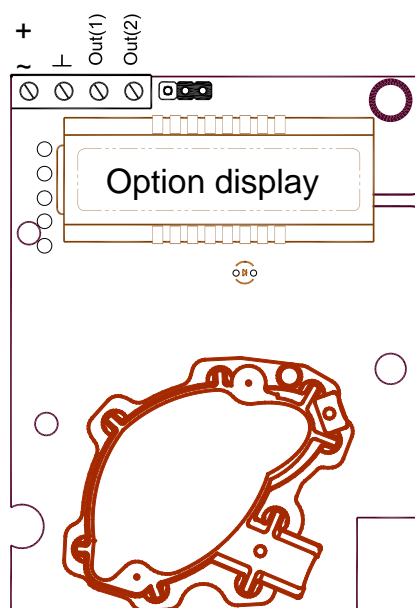


Figure 2. PCB with jumper to configure OUT2 for current output 4-20mA or voltage output 2-10VDC

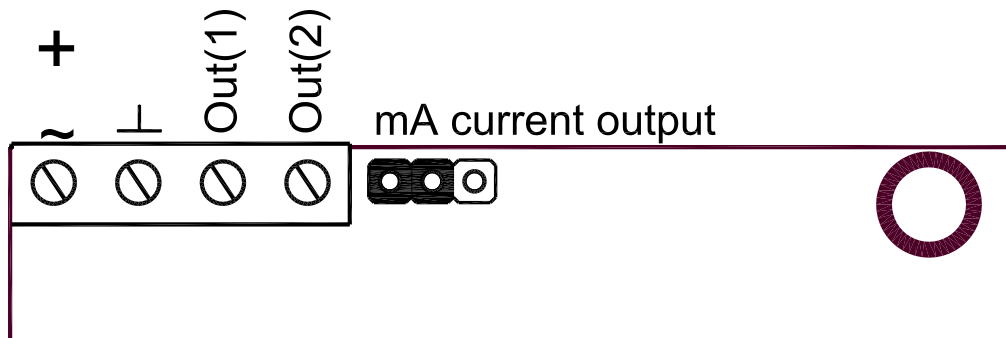


Figure 3. Enlarged picture of the PCB with the jumper set to current output (left position)

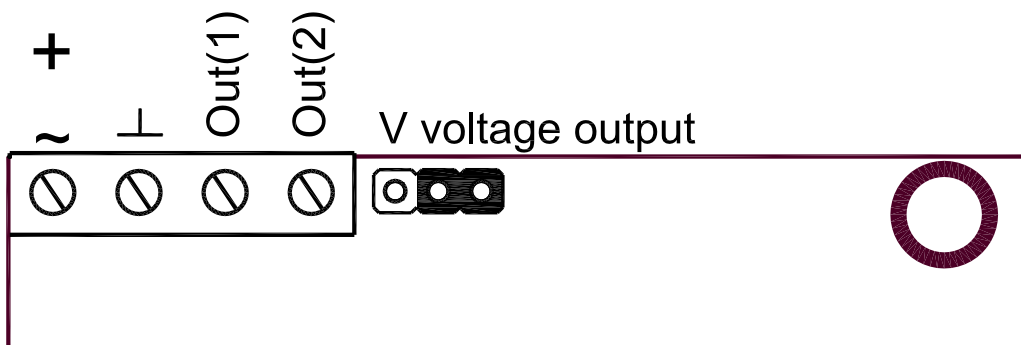


Figure 4. Enlarged picture of the PCB with the jumper set to voltage output (right position)

Self-diagnostics

The system contains a complete self-diagnostic procedure that is executed automatically when the sensor is in operation. The yellow LED is lit if an error is found. Sensors with display show a *wrench* if an error is found. The wrench is shown and the yellow LED is lit during the first seconds after power up and if the measuring range exceeded. They are automatically turned off when the sensor returns to normal operation. The output OUT2 indicates the same information by setting the output voltage to 1V or 2 mA.

Maintenance

The *CF3-W-EU* is basically maintenance free in normal environments thanks to the built-in self-correcting *ABC* algorithm.

PLEASE NOTE!

The sensor accuracy is defined at continuous operation (at least 3 weeks after installation)

PLEASE NOTE! Electronic products should be disposed of via a suitable recycling centre.

Dimensions

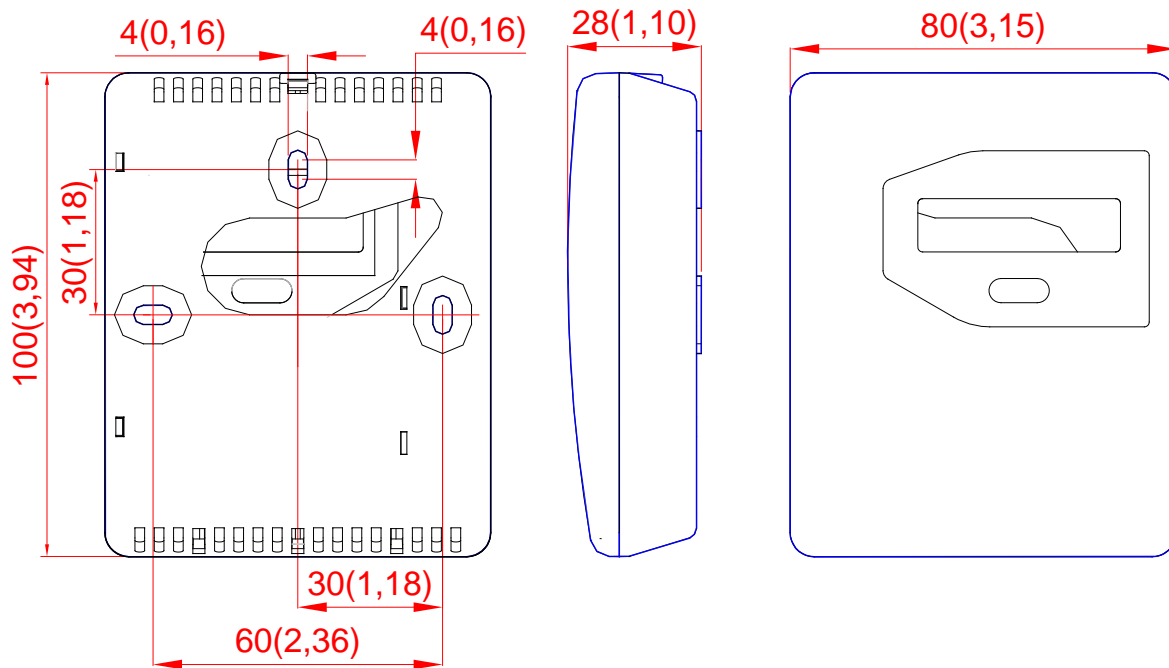


Figure 5. The dimensions of the sensor in mm and (inches)

Mounting of the sensor onto the wall

Please use screws with **screw head diameter less than 7,5 mm (0,295 inches)** and **screw head height less than 2,4 mm (0,094 inches)**.