

CLEAN ROOM PANEL - CRP1



RELIABLE MEASUREMENTS IN CLEAN ROOMS

- Measures humidity and temperature
- Designed specifically for clean rooms
- Works in combination with the HygroClip2 series
- FDA- and GAMP-compatible
- Digital communication via MODBUS RTU / HW4
- Analog output signals freely configurable
- Stainless steel front panel highly resistant to chemicals
- Alarm output acoustic, or via relay or LCD display



CLEAN ROOM PANEL - CRP1

TAKE A CLOSE LOOK: THE MAIN ADVANTAGES AT A GLANCE.

The CRP1 Clean-room Panel is characterized by its compact construction and simple handling. Its HygroClip2-compatibility allows humidity to be registered to the highest degree of accuracy. The data can be transferred via analog outputs or MODBUS. Measured values, alarms and measurement curves are shown on the display.

Proven housing

- Robust, resistant stainless steel front panel
- Protection Class IP65
- Simple installation in the wall of the clean-room, using wall-mounted housing

Functional display

- Measured values are output to an LCD graphics screen with trend indicator and alarm signaling
- Configuration possible via 6 buttons

Power supply

- 10...36 VDC

Communication

- 2 analog outputs: freely allocatable and scalable
- MODBUS RTU / HW4
- 2 Relays

Interchangeable probes

- External HygroClip2 probe for detached humidity and temperature measurement
- Simple probe calibration outside the room being monitored



THE APPLICATIONS

The Clean Room Panel CRP1 is the obvious choice wherever precise measurement of humidity and temperature is of vital importance, and a high degree of cleanliness must be maintained. Clean rooms in hospitals, in the pharmaceutical, electronics or foodstuffs industries, and in applications in which humidity and temperature are monitored. The very comprehensive functional capabilities of the CRP1 can be used for many measurement and control tasks.



THE PROBES FOR THE CRP1.

The HygroClip2 comes in various versions: from a simple plug-in probe for handheld instruments and data loggers to highly developed cable probes for high-temperature and other special applications, we can provide you with exactly the right probe to suit your needs. Common to all is the high precision, which, thanks to our patented AirChip3000, can be increased even further through individual adjustment. And that is precisely what makes each probe in our range a high-end product for normal and industrial applications.

Standard climatic probe

Precision: ± 0.8 %RH

Range of application: 50...100 °C

Material: Plastic and stainless-steel versions



Any Rotronic probe

Precision: up to ± 0.5 %RH

Range of application: 100...200 °C

Material: Plastic, stainless-steel and screw-in versions



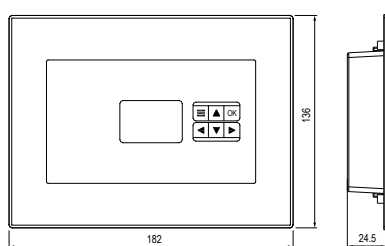
Would you like more information (special applications, ordering codes, etc.) on the choice of the correct probe?
You will find a complete and always up-to-date overview of all our probes at our web site www.rotronic.com.

TECHNICAL INFORMATION.

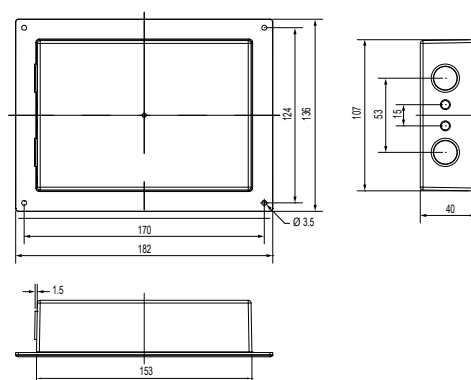
General	
Parameters	Temperature and relative humidity
Housing material (front panel)	Stainless steel 1.4401, plastic (cleaning resistant)
IP protection	IP65 (built in)
Mounting position	Wall Mounting
Dimensions	182 x 136 x 40 mm
Weight	750 g (without humidity probe)
Display	Graphical LCD display with backlighting
Menu Navigation	6 buttons
Electrical connections	Screw terminals on back
Power supply	10...36 VDC
Current Consumption	<1 A
Range of application / Storage conditions	-10...60 °C (14..140 °F) / 0...100 %RH
Service interface	UART
CE / EMC compatibility	EMC Directive 2004/108/EC
Fire protection class	Corresponds to UL94-HB
FDA- / GMP-compatible	21 CFR Part 11 and GAMP5
Temperature measurement / Relative-humidity measurement	
Measurement range	-100...200 °C (probe-dependent) / 0...100 %RH
Outputs	
Analog outputs	2, freely configurable
Analog output type	4...20 mA or 0...10 V
Switch output	2 Relays
Switching capacity	< 30 VDC at 2 A < 50 VAC at 0.5 A
Accuracy, analog output	±5 mV (voltage output) ±20 µA (current output)
Permissible load	>10 kΩ (voltage output) <500 Ω (current output)
Digital communication	RS-485 (Modbus RTU, HW4)

Dimensions (in mm)

Front panel



Wall-mounted housing



Would you like more information (special applications, ordering codes, etc.) on the choice of the correct probe?
You will find a complete and always up-to-date overview of all our probes at our web site www.rotronic.com.

ROTRONIC AG, Grindelstrasse 6, CH-8303 Bassersdorf, Tel. +41 44 838 11 44, www.rotronic.ch
ROTRONIC Instruments (UK) Ltd, Crompton Fields, Crompton Way, Crawley, West Sussex, RH10 9EE, UK, Phone +44 (0)1293 571000, www.rotronic.co.uk
ROTRONIC Instrument Corp, 135 Engineers Road, Hauppauge, NY 11788, USA, Phone, +1 631 427-3898, www.rotronic-usa.com
ROTRONIC Canada Inc., 236 Pritchard Rd, Unit 204, Hamilton, ON, Canada, L8W 3P7, Phone +1 905 754 5164, www.rotronic.ca
ROTRONIC Instruments Pte. Ltd., 1003 Bukit Merah Central, #06-31 Inno Centre, Singapore 159836, Phone +65 6376 2107, www.rotronic.sg

rotronic
MEASUREMENT SOLUTIONS