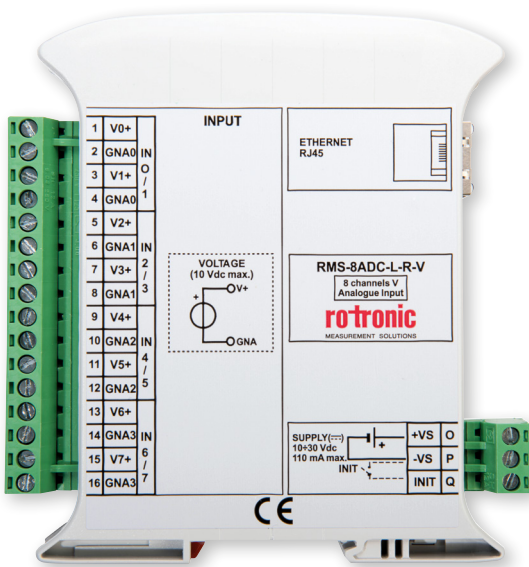


RMS-8ADC-L-R-V



ADVANTAGES

- 8 isolated input channels
- Passive input up to $\pm 10\text{ V}$
- Programmable via the RMS software
- Signal LED

APPLICATIONS

- Monitoring / Process control
- Building automation
- Industrial automation



TECHNICAL INFORMATION

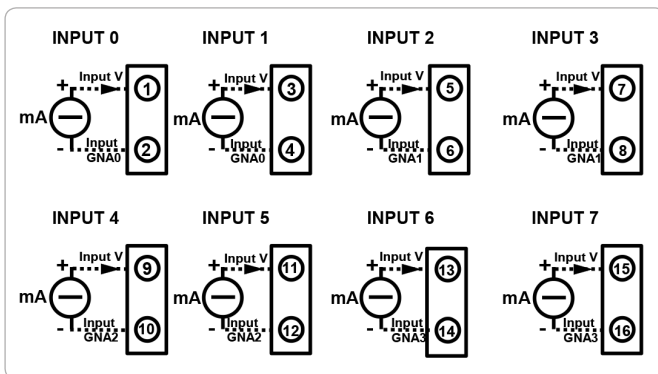
RMS 8 input, analogue to digital converter

The 8 input, analogue to digital converter was designed to implement all analogue outputs into the digital world of RMS. The 8 inputs offer the flexibility of using a current system with one of the newest and most flexible monitoring systems on the market today.

Attention

Function only with RMS-Converter-XXX.

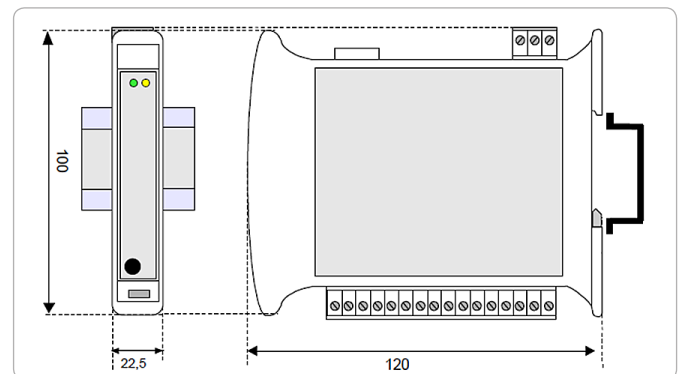
Analog inputs



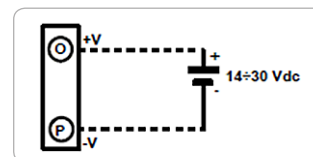
Notes:

Terminals "2" and "4" connected internally between them (neg. reference "GNA0").
 Terminals "6" and "8" connected internally between them (neg. reference "GNA1").
 Terminals "10" and "12" connected internally between them (neg. reference "GNA2").
 Terminals "14" and "16" connected internally between them (neg. reference "GNA3").
 The references "GNA0", "GNA1", "GNA2" and "GNA3" are isolated from each other.

Dimensions



Power supply



TECHNICAL INFORMATION

Light signalling

LED	Colour	State	Description
PWR	Green	On	Device powered
		Off	Device not powered
		Blink	Watchdog alarm
STS	Yellow	Off	Device in RUN modality
		Blink	Device in INIT modality

General specifications	
Device type	RMS-8ADC-L-R-V
Measured parameters	Voltage
Memory size	7 days memory with the RMS-Extension
Range of application	-10...60°C, 0...90%rh
Storage conditions	-40...85°C, 0...90%rh
Maximum altitude	2000 m ASL
Electrical supply voltage	14...30VDC
Device Data	
Analog inputs	8 isolated inputs, 0...10V
Input accuracy Voltage	±0.05%fs
Linearity Voltage	±0.1%fs
Thermal drift FS	±0.01%/°C
Measurement interval	10 s to 15 min (dependant on software account)
Interface output	Ethernet RJ-45
Protocol	Modbus TCP
Ethernet cable requirement	Min. Cat 5, SFTP, max. 100m
Interface input	Removable screw-terminals
Housing / Mechanical parts	
Mounting	Din-rail
Dimensions	100 x 120 x 22.5mm
Weight	160 g
IP protection class	IP20
Installation recommendation	Seperated by at least 5mm
Defaut IP configuration	192.168.1.100

Subject to technical change without notice. Printing and other errors reserved.