

RMS GATEWAY



ADVANTAGES

- Connects 60 wireless data loggers simultaneously
- 5 wireless channels for parallel and redundant operation
- Compatible with RMS Wireless Data Loggers, RMS Server Software and RMS Cloud
- Conforms to FDA CFR 21 Part 11 / GAMP 5

APPLICATIONS

- Monitoring of mobile equipment
- Extensible applications
- For redundant requirements

RMS

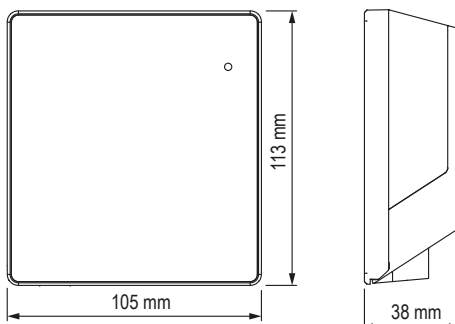
TECHNICAL INFORMATION

The gateway is the interface between the wireless data logger and the server software. It can manage up to 60 data loggers simultaneously, collecting all wireless-logger measurement data, and passing them on to the server software. When several gateways are used in the same network, they are configured redundantly. If one gateway should fail, the measurement values are automatically sent to the server software via another gateway.

Compatible with:

- RMS LOG RMS data logger
- RMS MLOG RMS mini-logger
- RMS-WEB On-premises software
- RMS-CLD SaaS solutions

Dimensions



General specifications	
Range of application	-40..70 °C, 0..100 %RH
Storage conditions	-40..30 °C, 0..95 %RH
Maximum altitude	2000 m ASL
Power supply	24 VDC ±10 % / <100 mA / PoE: 802.3 af-2003, Class 1
AC adapter requirements	24 VDC ±10 % / 4 W nominal / <15 W power-limited
Device data	
Measurement interval	10 s to 15 min.
Startup time	< 10 s
Order code	RMS-GW-868 RMS-GW-915
Interfaces	Ethernet & ISM868 MHz Ethernet & ISM 915 MHz
Indoor wireless range	20..50 meters 15..25 meters
Protocols	HTTP
Ethernet cable requirement	Min. Cat. 5, SFTP, max. 30 m
Conformity with standards	
FDA / GAMP directives	FDA CFR21 Part 11 / GAMP 5
Housing / Mechanics	
Housing material	ABS
Fire protection class	UL94 -V2
Dimensions	105 x 113 x 38 mm
IP protection class	IP65
Weight	200 g

Subject to technical change without notice. Printing and other errors reserved.

59058E/2018-03