

# RMS-CONVERTER



## Advantages

- Simple integration of: MODBUS TCP devices, Rotronic digital devices, Integration of digital devices on demand
- Data logging function
- Designed/developed based upon GAMP5 recommendations
- Conform to FDA 21 CFR Part 11/EU Annex 11 requirements combined with the RMS software

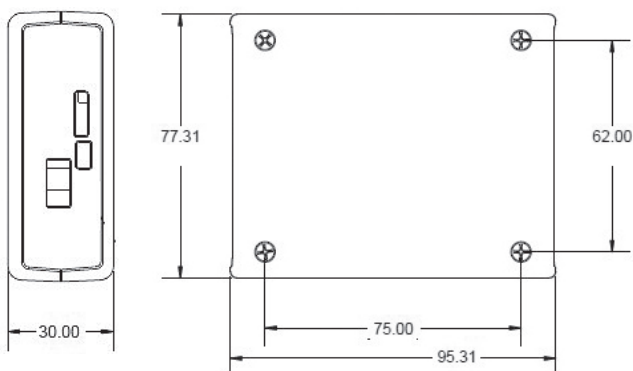
RMS

## TECHNICAL INFORMATION

The RMS Converter allows you to easily integrate existing devices and networks into RMS. The RMS Converter acts as an interface, gathering the data from digital devices and sending them to the RMS server software/MS SQL database. With a USB dongle, the Converter can be enhanced to a Gateway, and can connect to wireless data loggers.

In addition, third party digital devices can be integrated if the communication protocol is available. However, this function requires support from the Rotronic R&D. Where ever possible Rotronic would recommend replacing previous networks with RMS devices in the long term.

### Dimensions



General specifications	
Device type	RMS Converter
Number of measuring points	Integration of up to 100
Range of application	-0 .. 50 °C / 0 .. 95 %RH
Storage conditions	-0 .. 50 °C / 0 .. 95 %RH
Electrical Supply	5 VDC (universal mains adapter included)
Measurement interval	60 s to 15 min
Interface	Ethernet
Protocols	Modbus TCP RoASCII HTTP Customer-specific enhancements
Supported webcams	D-Link DCS-2121
Conformity with Standards	
FDA / GAMP directives	FDA 21 CFR Part 11 / GAMP5
Housing / Mechanical parts	
Dimensions	94 x 78 x 30 mm
IP protection class	IP20

# TECHNICAL INFORMATION

## Compatible with (LAN connection)

- HF4 .. HF8 with Ethernet connection
- PF4 with Ethernet connection
- PF5 with Ethernet connection
- RMS-WEB
- RMS-CLD
- CRP5
- RMS-8ADC-L-R-A/V
- RMS-4RTD-L-R
- Lighthouse APEX R5 (only with Ethernet port)
- Modbus TCP devices
- ALMO Alarm (only with Ethernet port)
- HygroLog NT and HL-NT
- PMS Airnet II (only with Ethernet port)

- Transmitter
- Transmitter
- Transmitter
- RMS On-Premise
- RMS SaaS solutions
- Clean room panel
- Analogue to digital converter
- RTD to digital converter
- Particle counter
- 3rd party Modbus devices
- Stationary dose rate monitor
- Data loggers
- Particle counter

